

UP-D25MD

Digital Color Printer

UP-25MD

Color Video Printer

SONY



Sony's medical grade UP-D25MD and UP-25MD Color Printers are the idea choice for Ultrasound, Cardiology, and Endoscopy applications. Thanks to a compact design, they fit easily into space-constrained environments, and can be rack-mounted, alongside other equipment, on medical carts. With their compact and lightweight bodies, the UP-D25MD and UP-25MD are ideal for use in a wide range of medical applications.



UP-D25MD
Digital Color Printer



UP-25MD
Analog Color Video Printer

Compact Size

The UP-D25MD and UP-25MD share a common compact design. With this compactness, they can fit into smaller spaces and - as their foot positions are identical to those of their predecessors, the UP-D23MD and UP-21MD - they even

help simplify the task of printer replacement. The shared dimensions of the UP-D25MD and UP-25MD are approximately 212 (W) x 98 (H) x 398 (D) mm (8 3/8 x 3 7/8 x 15 5/8 inches).

Useful Front Operation and User-friendly LCD Display

The UP-D25MD and UP-25MD are designed with a convenient front panel that enables quick and easy insertion of ribbon cartridges and print media. Using the front LCD

display, users can conveniently operate settings and color adjustment. This display also shows error messages and the print media type, making it easy for users to quickly check and confirm this information.



UP-D25MD (the UP-25MD has an identical structure)



UP-D25MD



UP-25MD

Print Media Variation

For additional user convenience, the UP-D25MD and UP-25MD use the same UPC-21L and UPC-21S print media as other UP-20 Series printers. To meet growing demand for higher image quality and durability, the UP-D25MD and UP-25MD also use UPC-24LA and UPC-24SA

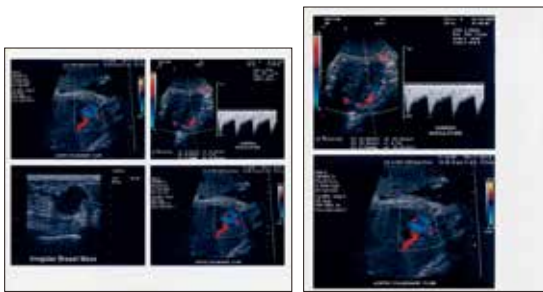
self-lamination media. This type of media has a protective layer on each print, which is resistant to light, heat, water, humidity, and fingerprints, providing long-lasting higher picture quality with long-term durability.

Superb Print Quality and Color at 423 dpi Resolution

Incorporating dye sublimation printing technology from Sony, the UP-D25MD and UP-25MD can provide photorealistic quality prints with a high resolution of approximately 423 dpi image reproduction.

Split-image Prints

Two- or four-split images can be printed on a single sheet. With the UP-D25MD, this is selectable from the printer driver.



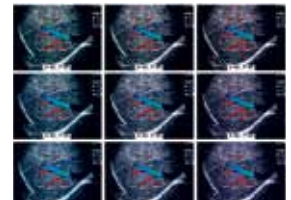
Color Adjustment and Gray Balance (Color Balance¹)

The UP-D25MD and UP-25MD incorporate two types of color adjustment function: the normal RGB adjustment and an HSV function. The HSV function enables users to adjust the hue, saturation, and value of a selected color. With the UP-D25MD, users can check the adjustment result in a preview window on the printer driver GUI². In addition the UP-D25MD and UP-25MD can print a nine-split image for color balance which makes it easier for users to select the best colors (the ones that most closely match user requirements) with actual medical images. As well as simplifying selection, these adjustment functions provide the most suitable tonal range for various modalities.

- 1 In the UP-25MD, this function is referred to as Color Balance.
- 2 For reference, there is a nine-split test print for HSV adjustment, and a nine-split test print for Gray Balance (Color Balance) adjustment.



Nine-split test print for HSV adjustment



Nine-split test print for Gray Balance (Color Balance) adjustment

Automatic Feed Roller Cleaning³

The UP-D25MD and UP-25MD are equipped with an automatic feed roller cleaning function which reduces the need for periodical manual cleaning. The paper feed roller is cleaned for a few seconds whenever the last sheet of paper in the paper tray is printed out. After this, the paper tray is automatically pushed out, notifying the user that the paper has run out.

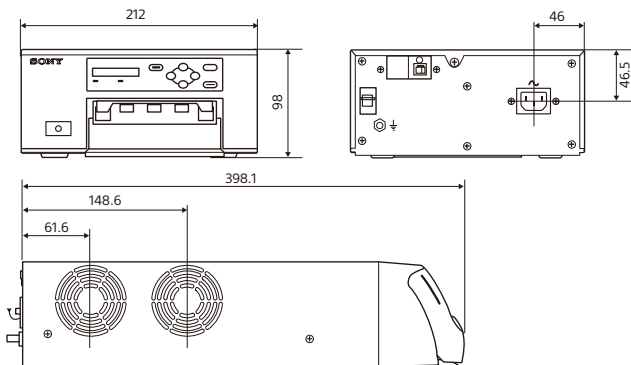
- 3 This function is supported by printers with a blue sticker on their front panel.



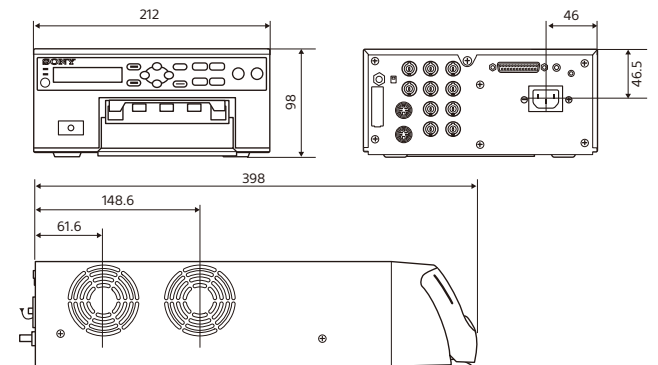
Dimensions

Unit : mm

UP-D25MD



UP-25MD



Specifications

	UP-D25MD	UP-25MD
Printing method	Dye sublimation thermal transfer	
Resolution	423 dpi	
Gradations	256 levels (8 bits) each for Yellow, Cyan, Magenta	
Picture elements	UPC-21L/24LA: 2,100 x 1,600 dots UPC-21S/24SA: 1,600 x 1,200 dots	UPC-21L/24LA: 2,132 x 1,600 dots UPC-21S/24SA: 1,600 x 1,260 dots
Picture area	UPC-21L/24LA: 126.0 x 96.0 mm (5 x 3 3/4 inches) UPC-21S/24SA: 96.0 x 72.0 mm (3 3/4 x 2 7/8 inches)	UPC-21L/24LA: 127.9 x 96.0 mm (5 1/8 x 3 3/4 inches) UPC-21S/24SA: 96.0 x 75.6 mm (3 3/4 x 3 inches)
Printing time	UPC-21L: Approx. 29 sec UPC-21S: Approx. 19 sec UPC-24LA: Approx. 36 sec UPC-24SA: Approx. 25 sec	
TV system	Select from NTSC/PAL signal system (using NTSC/PAL switch)	
HDTV IN/OUT signals	1080i/59.94i, 1080/50i (2:1 interlace) 720/59.94p, 720/50p (progressive)	
Paper tray capacity	L size: max. 50 sheets S size: max. 80 sheets	
Interface	Hi-Speed USB (USB 2.0) (x1)	RGB/Y/Pb/Pr (BNC) (x3): 0.7 Vp-p SYNC ON G: 0.3 Vp-p, sync negative SYNC (BNC) (x1): 0.3 to 4 Vp-p, sync negative S VIDEO (4-pin mini-DIN) (x1): Y: 1 Vp-p, sync negative C: 0.286 Vp-p (NTSC), 0.3 Vp-p (PAL) VIDEO (BNC) (x1) : 1 Vp-p, sync negative
Control connectors	REMOTE 1: Special mini jack (x1) for optional RM-5500 Remote Control Unit REMOTE 2: Stereo mini jack: (x1) for optional RM-91 Remote Control Unit or optional FS-24 Foot Switch RS-232C (Computer control interface): D-sub 25-pin connector (x1)	
Power requirements	AC 100 V to 240 V, 50/60Hz	
Input current	1.7 A to 1.0 A	
Operating temperature	5°C to 35°C (41°F to 95°F)	
Operating humidity	20% to 80% (no condensation allowed)	
Storage and transport temperature	-20°C to +60°C (-4°F to +140°F)	
Storage and transport humidity	20% to 80% (no condensation allowed)	
Dimensions	212 (W) x 98 (H) x 398 (D) mm, (8 3/8 x 3 7/8 x 15 5/8 inches)	
Mass	5.5 kg (12 lb 2 oz)	5.7 kg (12 lb 6 oz)
Supplied accessories	Paper feed tray (1) Stopper (1) USB cable 1-824-211-41 (SONY) (1) Before Using this Printer (1) Software License Agreement (1) Thermal head cleaning cartridge (1) CD-ROM (printer driver/instructions for use) (1) Service Contact List (1)	Paper feed tray (1) Stopper (1) Before Using this Printer (1) Thermal head cleaning cartridge (1) CD ROM (instructions for use) (1) Service Contact List (1)

These products are distributed to US and EU as medical devices. They satisfy product safety standards (e.g. IEC 60601-1). For more details, please contact your nearest Sony sales office or an authorized dealer.

Optional Accessories

UPC-21S Color Print Pack (S size)

Contents:
240 sheets of print paper
(80 sheets x 3 packs)
3 rolls of ink ribbon



UPC-21L Color Print Pack (L size)

Contents:
200 sheets of print paper
(50 sheets x 4 packs)
4 rolls of ink ribbon



UPC-24SA Self-Laminating Color Printing Pack (S size)

Contents:
180 sheets of print paper
(60 sheets x 3 packs)
3 rolls of ink ribbon



UPC-24LA Self-Laminating Color Printing Pack (L size)

Contents:
160 sheets of print paper
(40 sheets x 4 packs)
4 rolls of ink ribbon



RM-91 Remote Commander



FS-24 Foot Switch



Distributed by

©2018 Sony Corporation. All rights reserved.

Reproduction in whole or in part without written permission is prohibited.

Features and specifications are subject to change without notice.

All non-metric weights and measurements are approximate.

Some images in this brochure are simulated.

"SONY" and other marks are trademarks or registered trademarks of Sony Corporation.

All other trademarks are the property of their respective owners.

Please visit Sony's professional website or contact your Sony representative for specific models available in your region.